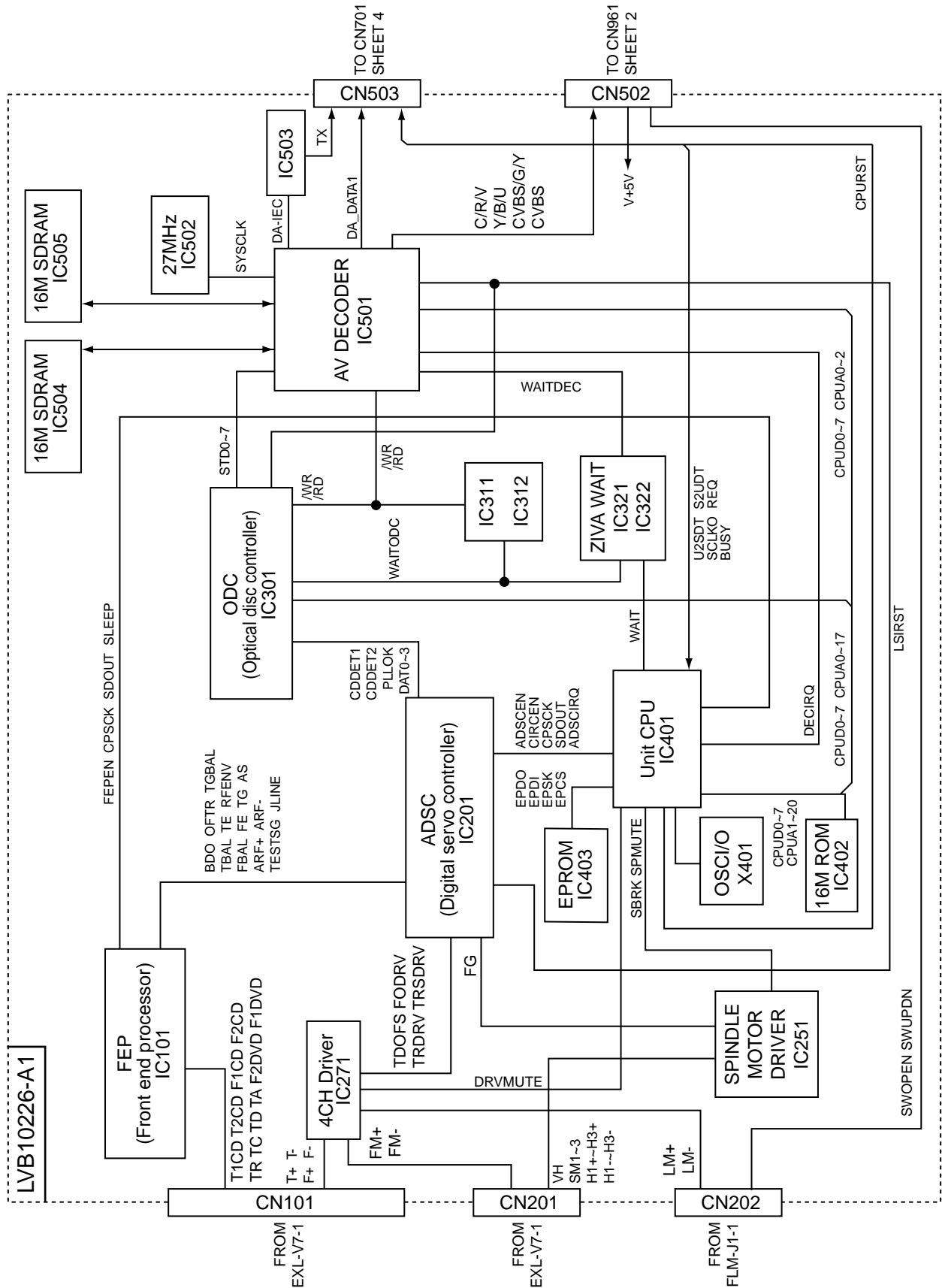
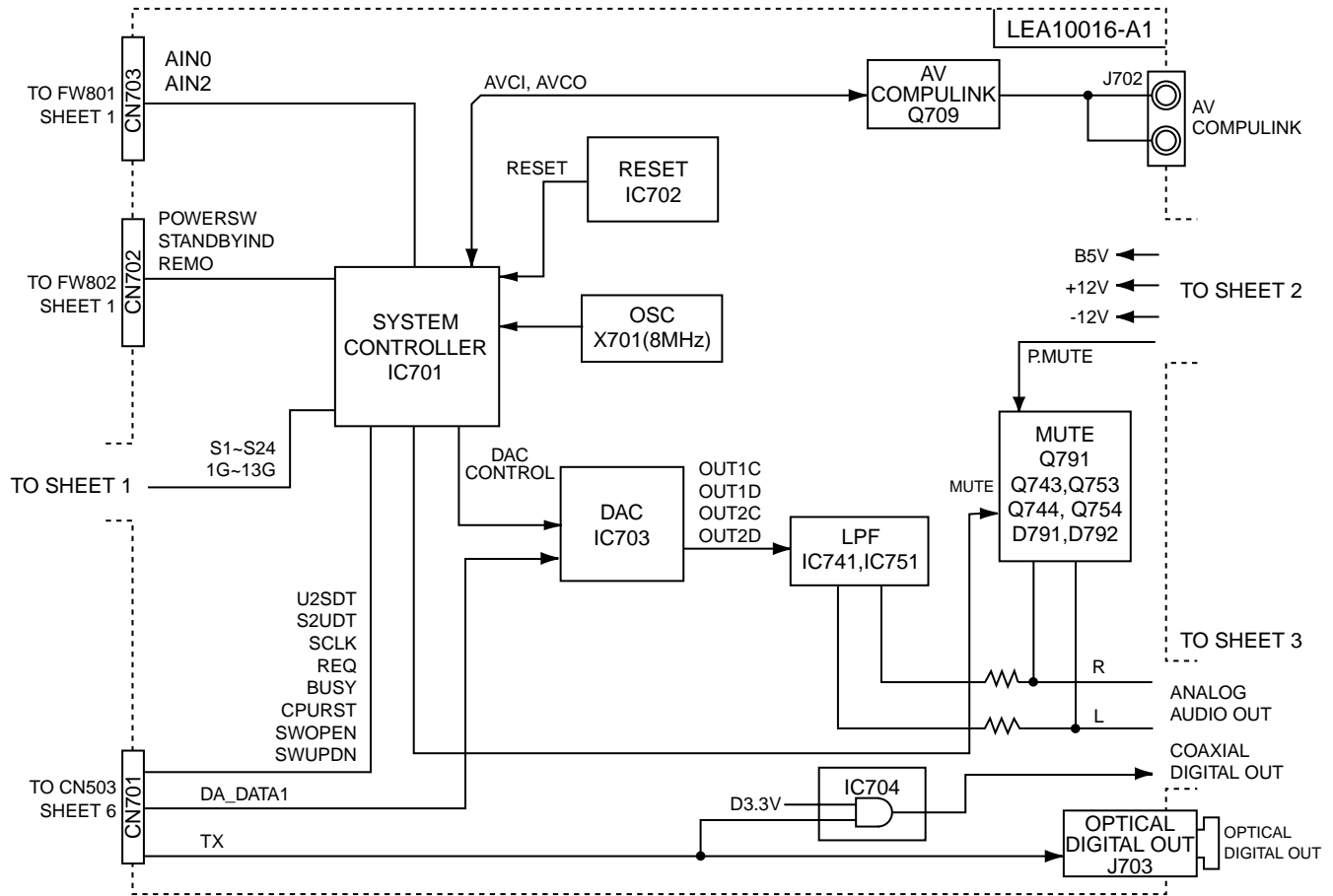


# Block diagrams

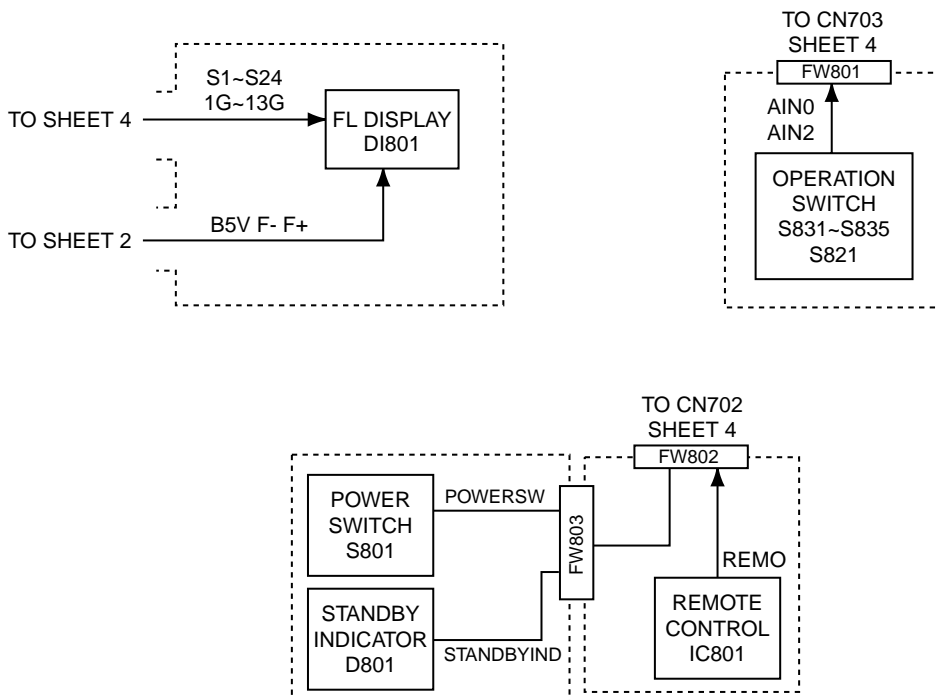
## ■ DVD Servo control & AV decoder section(SHEET 5,6)



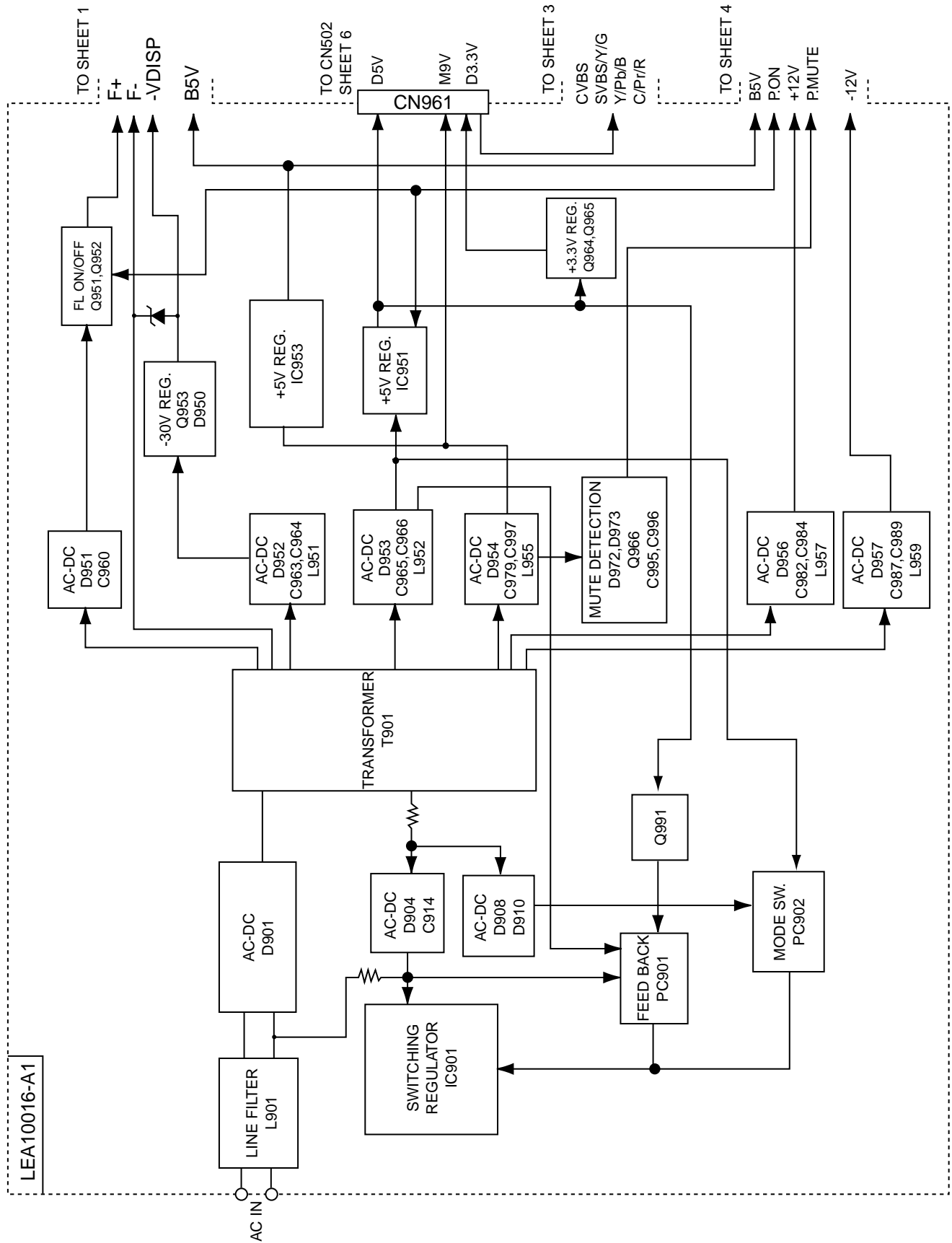
■ System control & audio output section(SHEET 4)



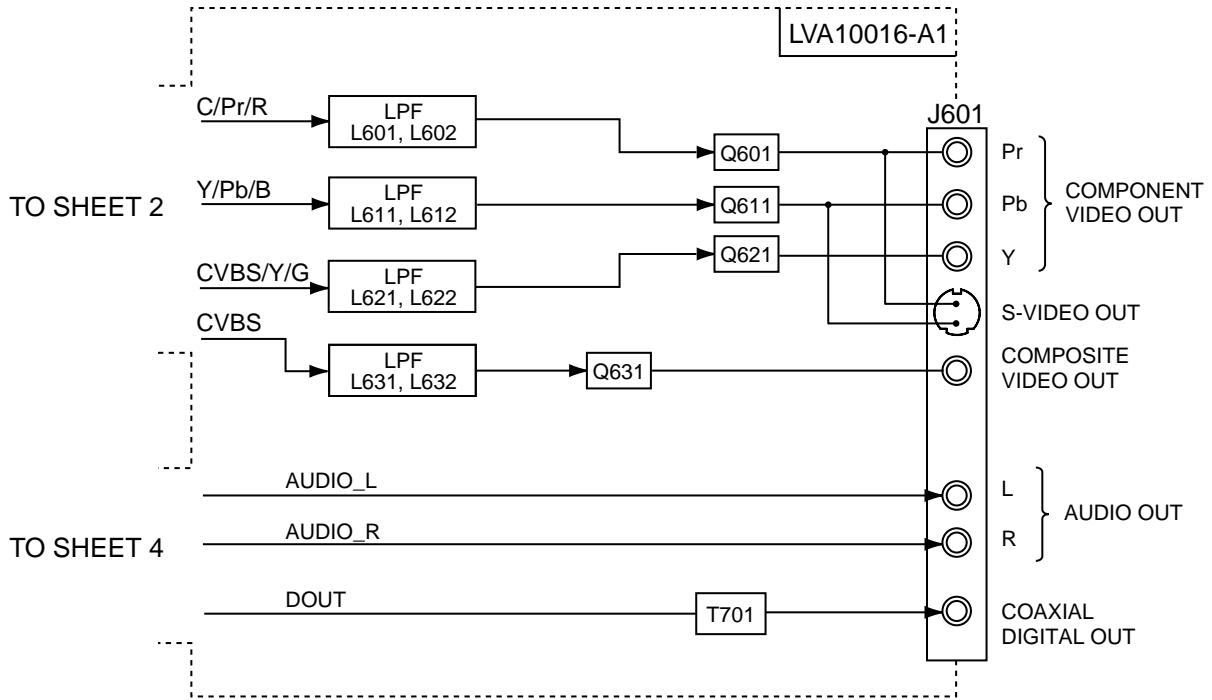
■ FL Display & Operation switch section(SHEET 1)



■ DC Regulator section (SHEET 2)

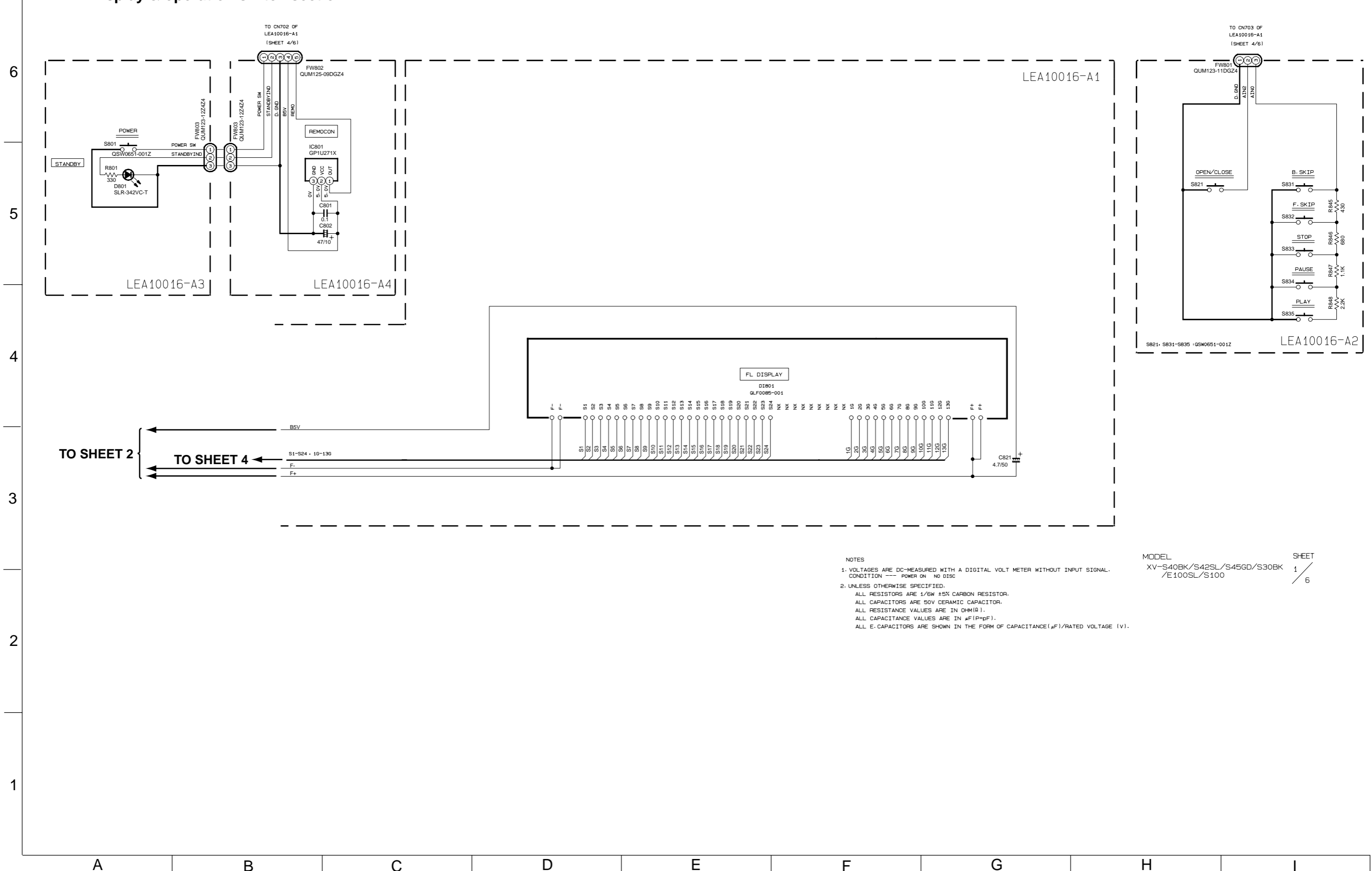


■ Audio & Video signal output section(SHEET 3)



# Standard schematic diagrams

## FL Display & operation switch section

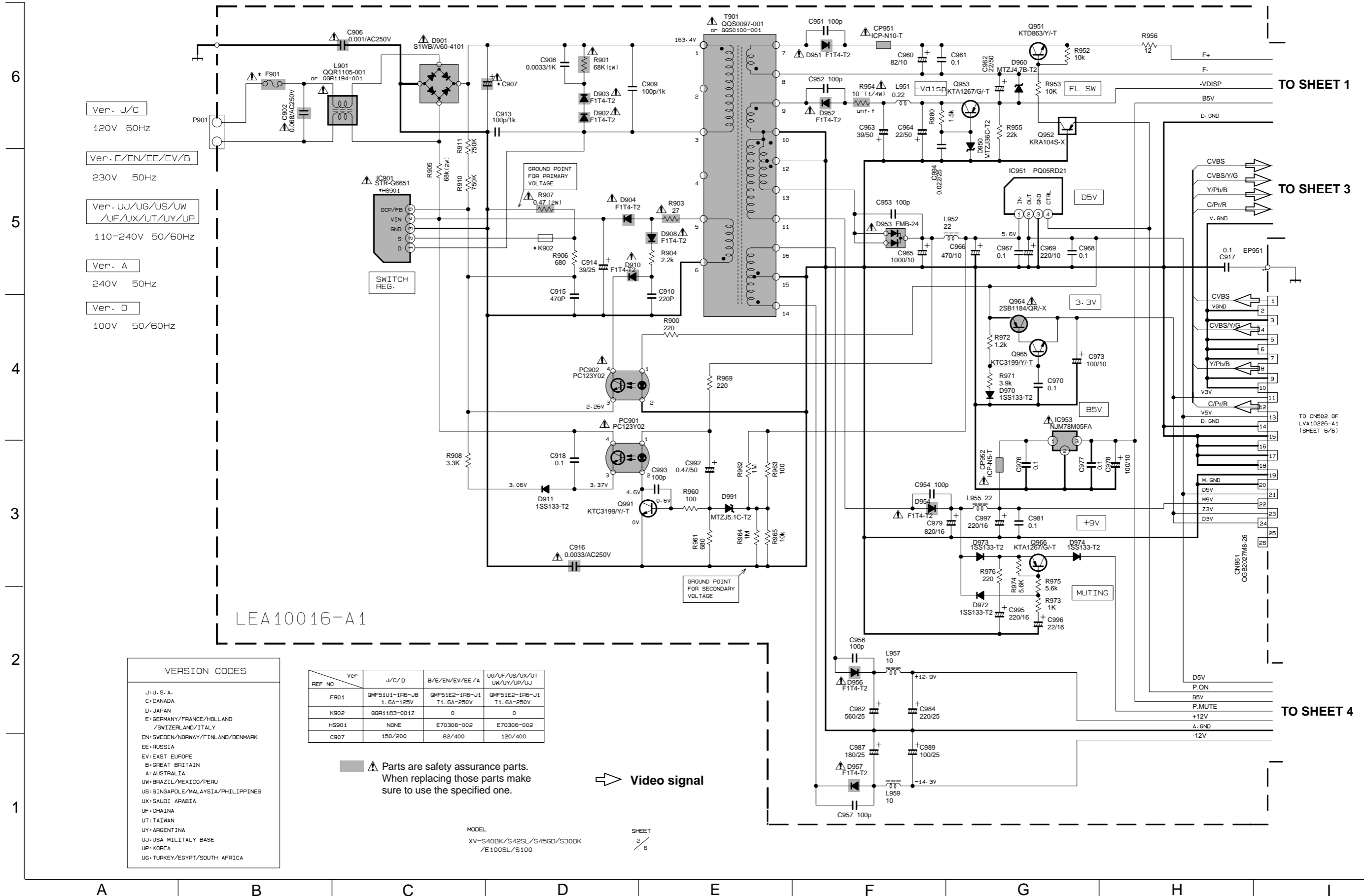


- NOTES
- VOLTAGES ARE DC-MEASURED WITH A DIGITAL VOLT METER WITHOUT INPUT SIGNAL. CONDITION --- POWER ON NO DISC
  - UNLESS OTHERWISE SPECIFIED.
    - ALL RESISTORS ARE 1/6W ±5% CARBON RESISTOR.
    - ALL CAPACITORS ARE 50V CERAMIC CAPACITOR.
    - ALL RESISTANCE VALUES ARE IN OHM(Ω).
    - ALL CAPACITANCE VALUES ARE IN μF(P=pF).
    - ALL E. CAPACITORS ARE SHOWN IN THE FORM OF CAPACITANCE(μF)/RATED VOLTAGE (V).

MODEL  
XV-S40BK/S42SL/S45GD/S30BK  
/E100SL/S100

SHEET  
1 / 6

Power supply section



- Ver. J/C  
120V 60Hz
- Ver. E/EN/EE/EV/B  
230V 50Hz
- Ver. UJ/UG/US/UW  
/UF/UX/UT/UY/UP  
110-240V 50/60Hz
- Ver. A  
240V 50Hz
- Ver. D  
100V 50/60Hz

VERSION CODES

- J: U.S.A.
- C: CANADA
- D: JAPAN
- E: GERMANY/FRANCE/HOLLAND
- A: AUSTRALIA
- UK: BRAZIL/MEXICO/PERU
- US: SINGAPOLE/MALAYSIA/PHILIPPINES
- UX: SAUDI ARABIA
- UF: CHAINA
- UT: TAIWAN
- UY: ARGENTINA
- UJ: USA MILITARY BASE
- UP: KOREA
- UG: TURKEY/EGYPT/SOUTH AFRICA

REF NO	Ver	J/C/D	B/E/EN/EV/EE/A	UG/UF/US/UX/UT UW/UY/UP/UJ
F901	GMF51U4-1R6-JB 1.6A-125V	GMF51E2-1R6-J1 T1.6A-250V	GMF51E2-1R6-J1 T1.6A-250V	GMF51E2-1R6-J1 T1.6A-250V
K902	QQR11B3-001Z	0	0	0
HS901	NONE	E70306-002	E70306-002	E70306-002
C907	150/200	82/400	120/400	120/400

Parts are safety assurance parts.  
When replacing those parts make  
sure to use the specified one.

Video signal

MODEL  
XV-S40BK/S42SL/S45GD/S30BK  
/E100SL/S100

SHEET  
2 / 6

LEA10016-A1

TO SHEET 1

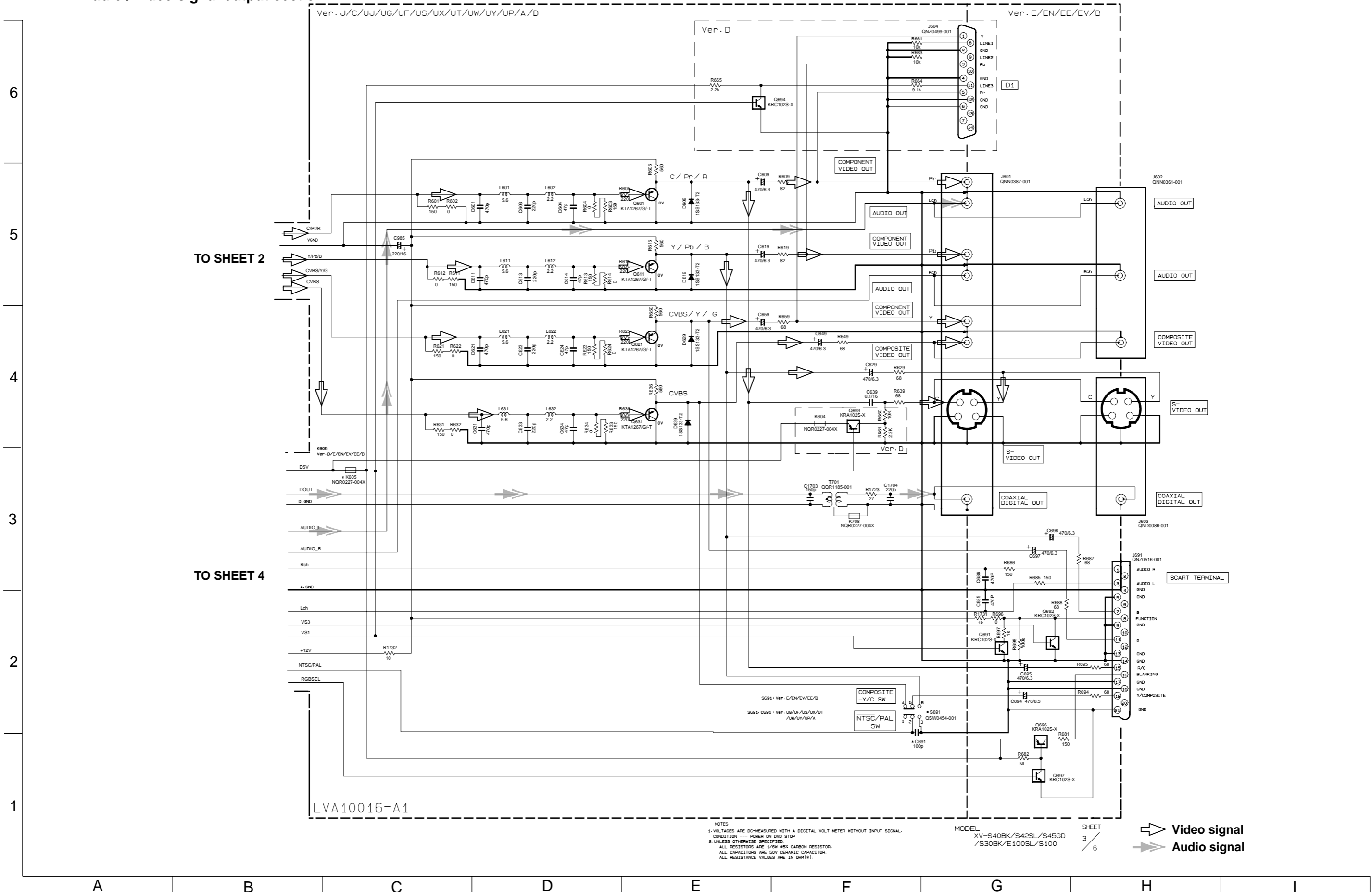
TO SHEET 3

TO CN502 OF  
LVA10226-A1  
(SHEET 6/6)

TO SHEET 4

A B C D E F G H I

Audio / video signal output section



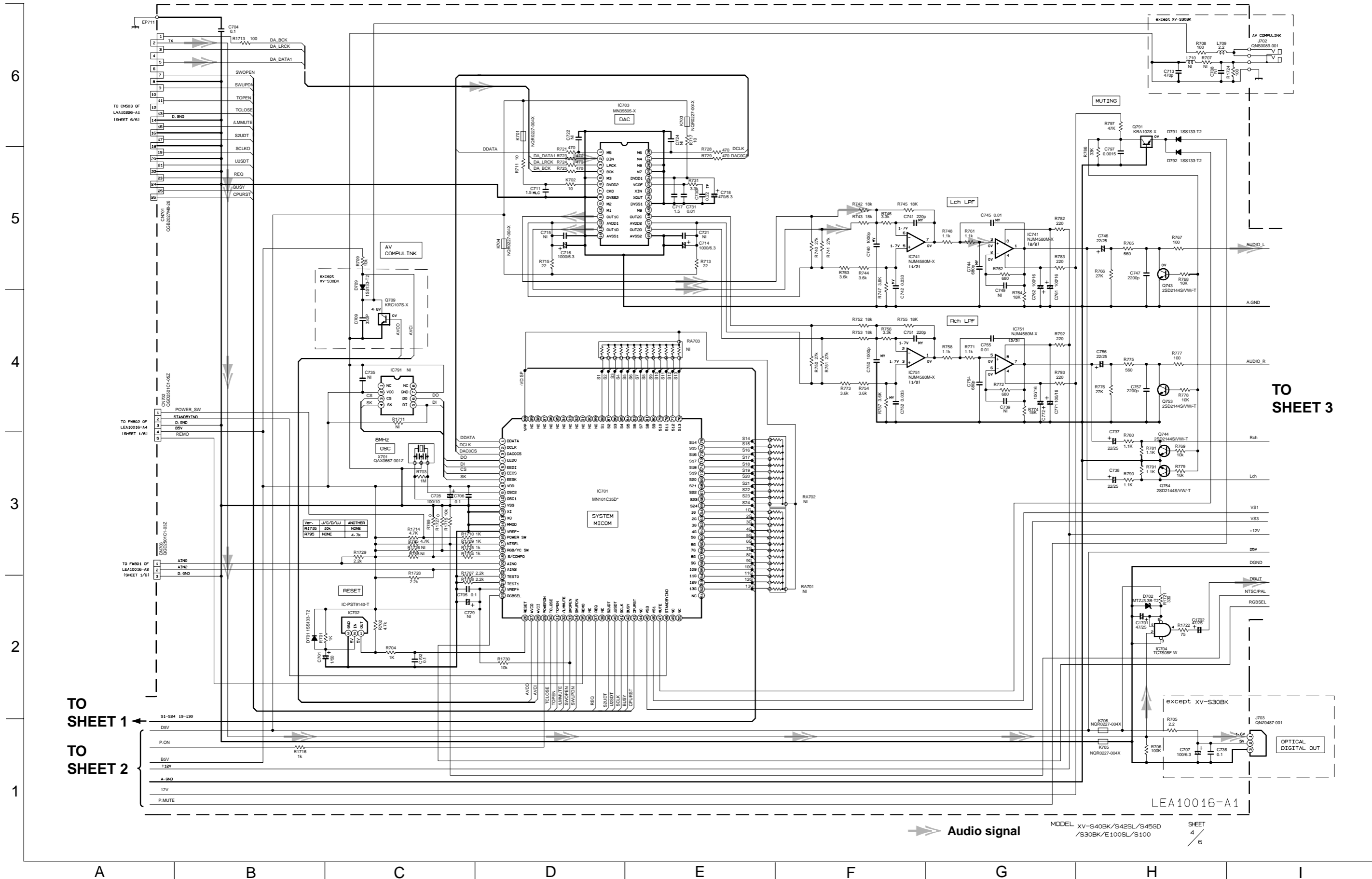
NOTES  
1. VOLTAGES ARE DC-MEASURED WITH A DIGITAL VOLT METER WITHOUT INPUT SIGNAL.  
CONDITION — POWER ON DVD STOP  
2. UNLESS OTHERWISE SPECIFIED,  
ALL RESISTORS ARE 1/6W 5% CARBON RESISTOR.  
ALL CAPACITORS ARE 50V CERAMIC CAPACITOR.  
ALL RESISTANCE VALUES ARE IN OHMS (Ω).

MODEL  
XV-S40BK/S42SL/S45GD  
/S30BK/E100SL/S100

SHEET  
3  
6

➔ Video signal  
➡ Audio signal

System control & audio signal DAC section



TO SHEET 3

TO SHEET 1

TO SHEET 2

LEA10016-A1

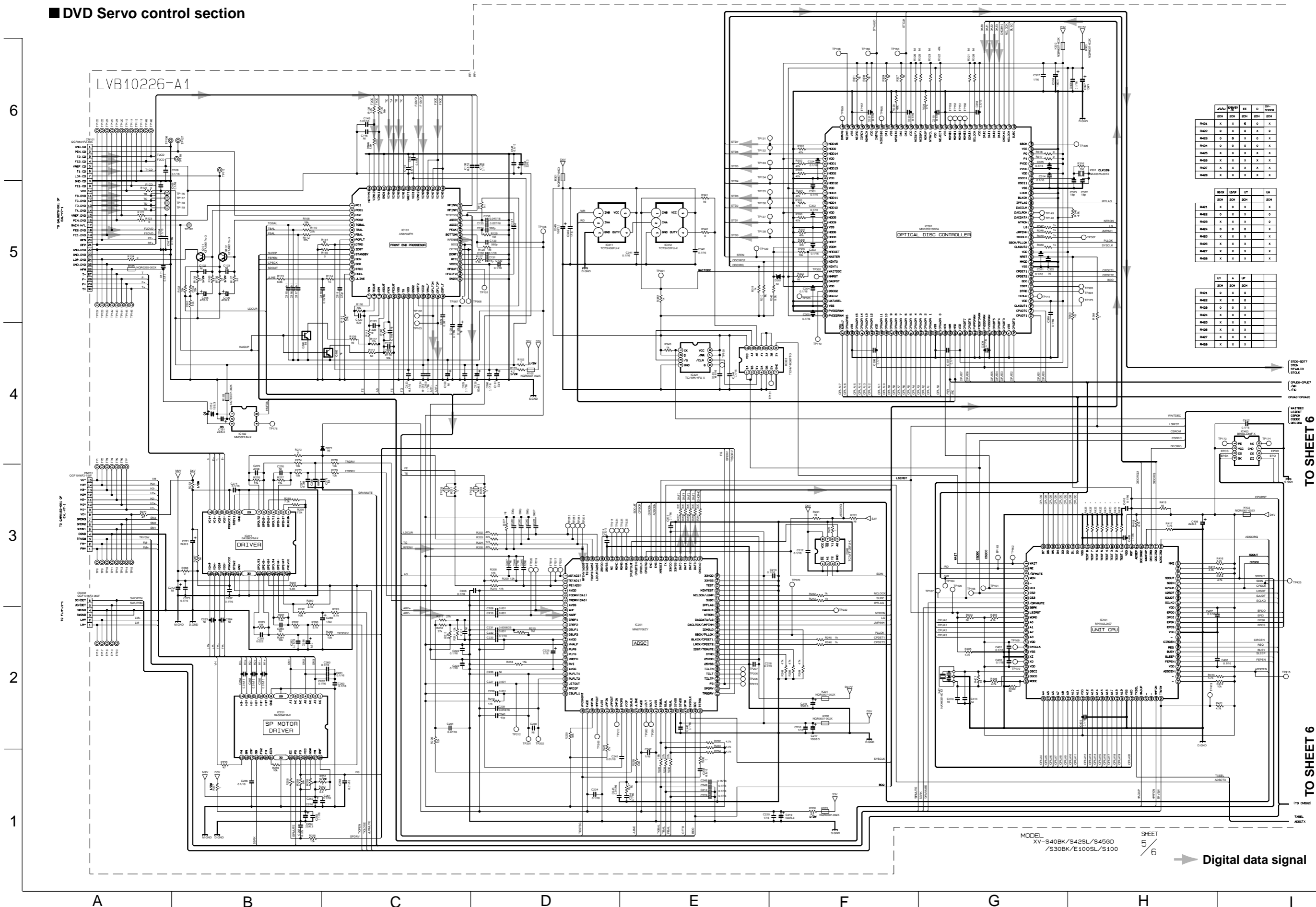
Audio signal

MODEL XV-S40BK/S42SL/S45GD  
/S30BK/E100SL/S100

SHEET  
4  
6



■ DVD Servo control section



MODEL  
XV-S40BK/S42SL/S4560  
/S30BK/E100SL/S100

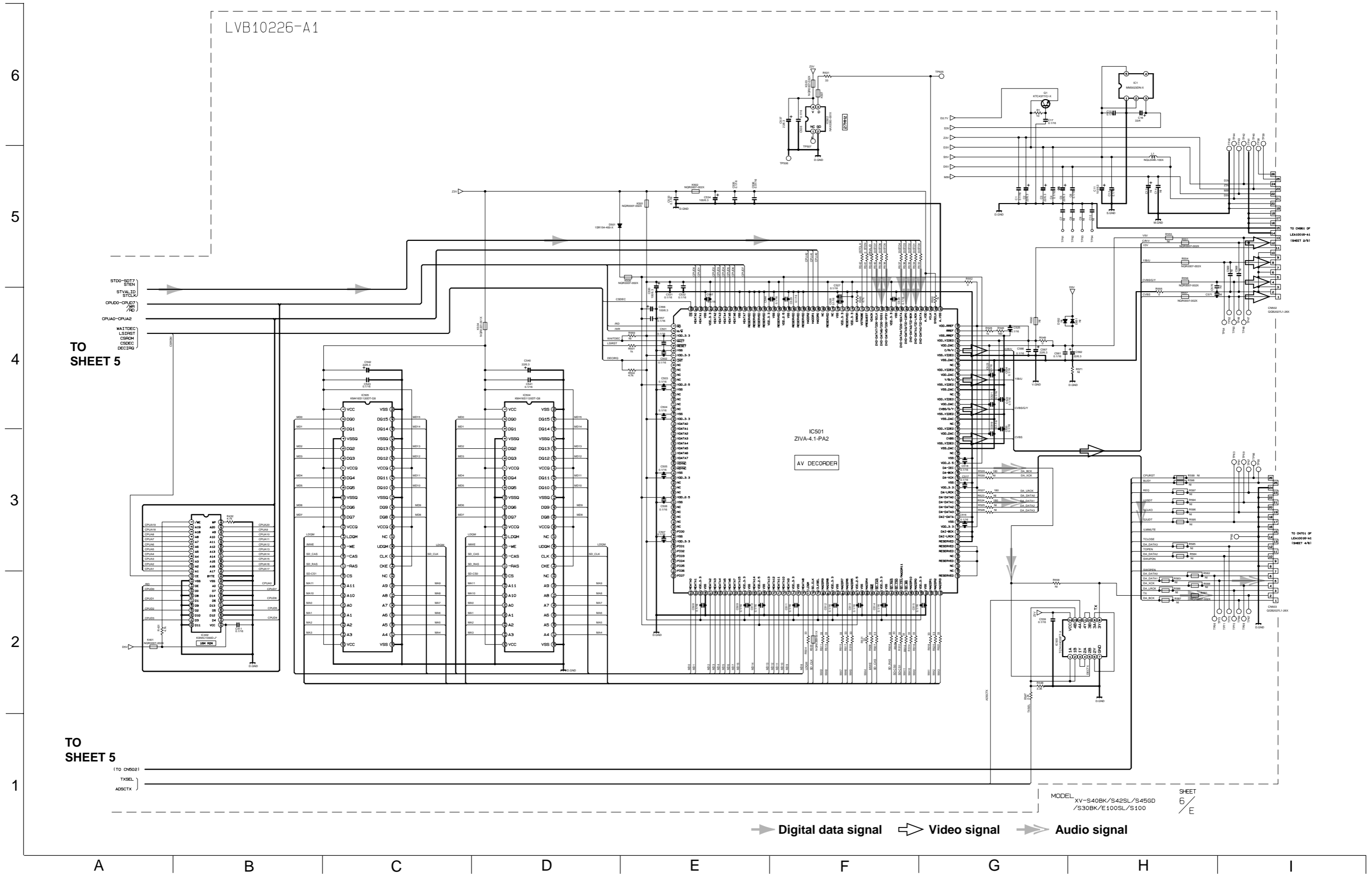
SHEET  
5  
6

➔ Digital data signal

TO SHEET 6

TO SHEET 6

AV Decoder section



LVB10226-A1

IC501  
ZIVA-4.1-PA2  
AV DECODER

TO SHEET 5

TO SHEET 5

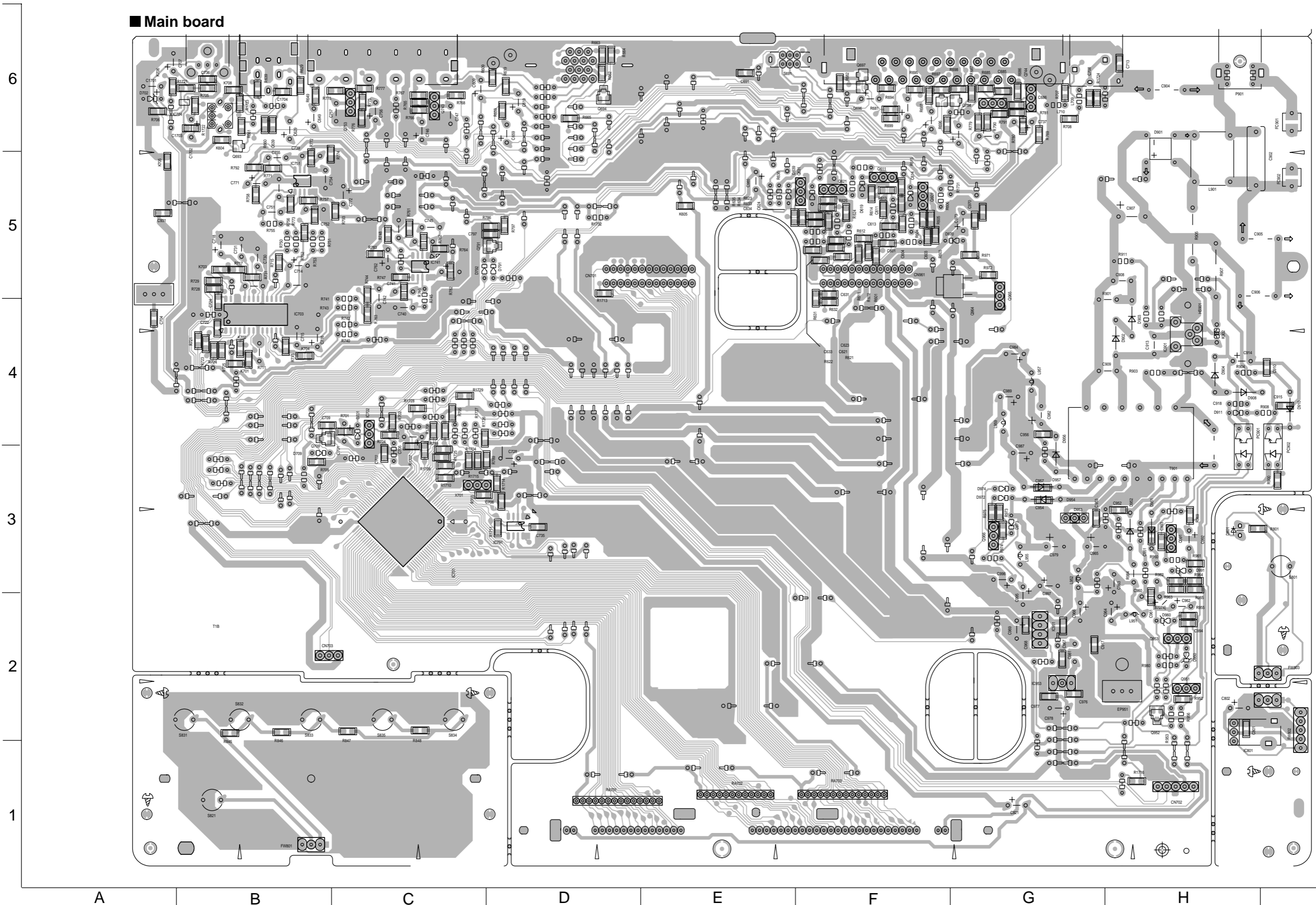
MODEL  
XV-S40BK/S42SL/S456D  
/S30BK/E100SL/S100

SHEET  
6  
E

➔ Digital data signal   ➔ Video signal   ➔ Audio signal

# Printed circuit boards

## ■ Main board



■ DVD Servo control board

